

Original Equipment Manufacturers appreciate the compact form factor combined with optimised cooling performance and Sony's excellent 1.4MP ICX-285 sensor. High QE with low read out noise is a combination designed to provide imaging performance ideally suited to scientific applications in low light conditions requiring a wide field of view. The OEM case is nickel plated as standard for maximum EMC performance in an imaging system environment with an anodised finish as an option. All Atik Cameras are supplied with a comprehensive software development kit and are also fully compatible with many 3rd party image acquisition programs.

This standard product from Atik Cameras can be adapted as a semi-custom camera for specific OEM applications. Contact us for more information.

Atik OEM 1.4MPixel	
Sensor Mono	ICX285AL
Sensor Colour	ICX285AQ
Sensor diagonal	11.0 mm
Sensor Format	2/3
Resolution H	1392 pixels
Resolution V	1040 pixels
Pixel L & W	6.45µm
Noise	4e- (Typ)
ADC	16 bit
Cooling	T <sub>(amb)</sub> -30°C (Regulated)
Dark Current	0.01e-/p/s at -10°C
Back Focus	13.5mm
Weight	400g
Interface	USB 2.0
Power	12VDC 0.8A (Centre positive)



Nickel finish

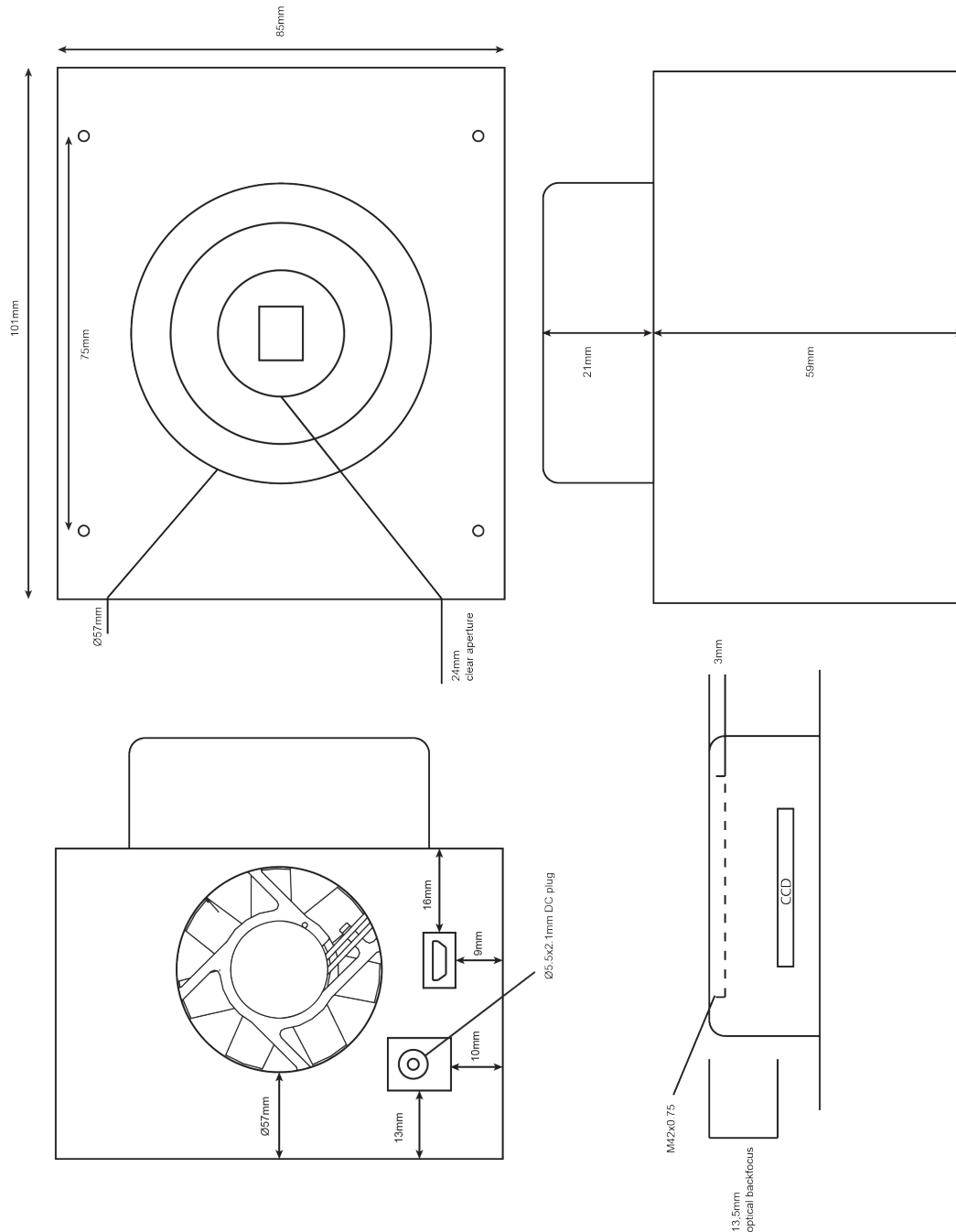


Anodised finish

## Software Development Kit (SDK)

- >> C++ Library covering all camera functions
- >> Visual Basic wrapper
- >> .net Wrapper
- >> Linux Driver

# Outline Drawing



## Available Accessories

- >> Universal Power Supply (90-240VAC)/DC 12V
- >> C-Mount lens adaptor

## Service Item

- >> Desiccant Cartridge

## Contact Details

For enquiries, please use the contact details below:

Artemis CCD Ltd  
 Unit 8 Lodge Farm Barns  
 New Road  
 Bawburgh  
 Norwich  
 NR9 3LZ  
 United Kingdom

T: +44 (0)1603 740397  
 F: +44 (0)1603 340600  
 E: sales@atik-cameras.com

## Ordering Information:

# Atik OEM14-Y-Z

- >> Y : M = Monochrome, C = Colour
- >> Z : A = Nickel A, B = Anodised finish