

Original Equipment Manufacturers appreciate the compact form factor combined with optimised cooling performance and Sony's 6.0MP sensor fabricated with EXview HAD CCD II technology. High QE with low read out noise is a combination designed to provide imaging performance ideally suited to scientific applications in low light conditions requiring a wide field of view. The OEM case is nickel plated as standard for maximum EMC performance in an imaging system environment with an anodised finish as an option. All Atik Cameras are supplied with a comprehensive software development kit and are also fully compatible with many 3rd party image acquisition programs.

This standard product from Atik Cameras can be adapted as a semi-custom camera for specific OEM applications. Contact us for more information.

Atik OEM 6.0Mpixel

Sensor Mono	ICX694ALG
Sensor Colour	ICX694AQQ
Sensor diagonal	15.99 mm
Sensor Format	1/1
Resolution H	2750 pixels
Resolution V	2200 pixels
Pixel L & W	4.54µm
Noise	5e- (Typ)
ADC	16 bit
Cooling	T _(amb) -30°C (Regulated)
Dark Current	0.01e-/p/s at -10°C
Back Focus	13mm
Weight	400g
Interface	USB 2.0
Power	12VDC 1.0A (Centre Positive)



Nickel finish

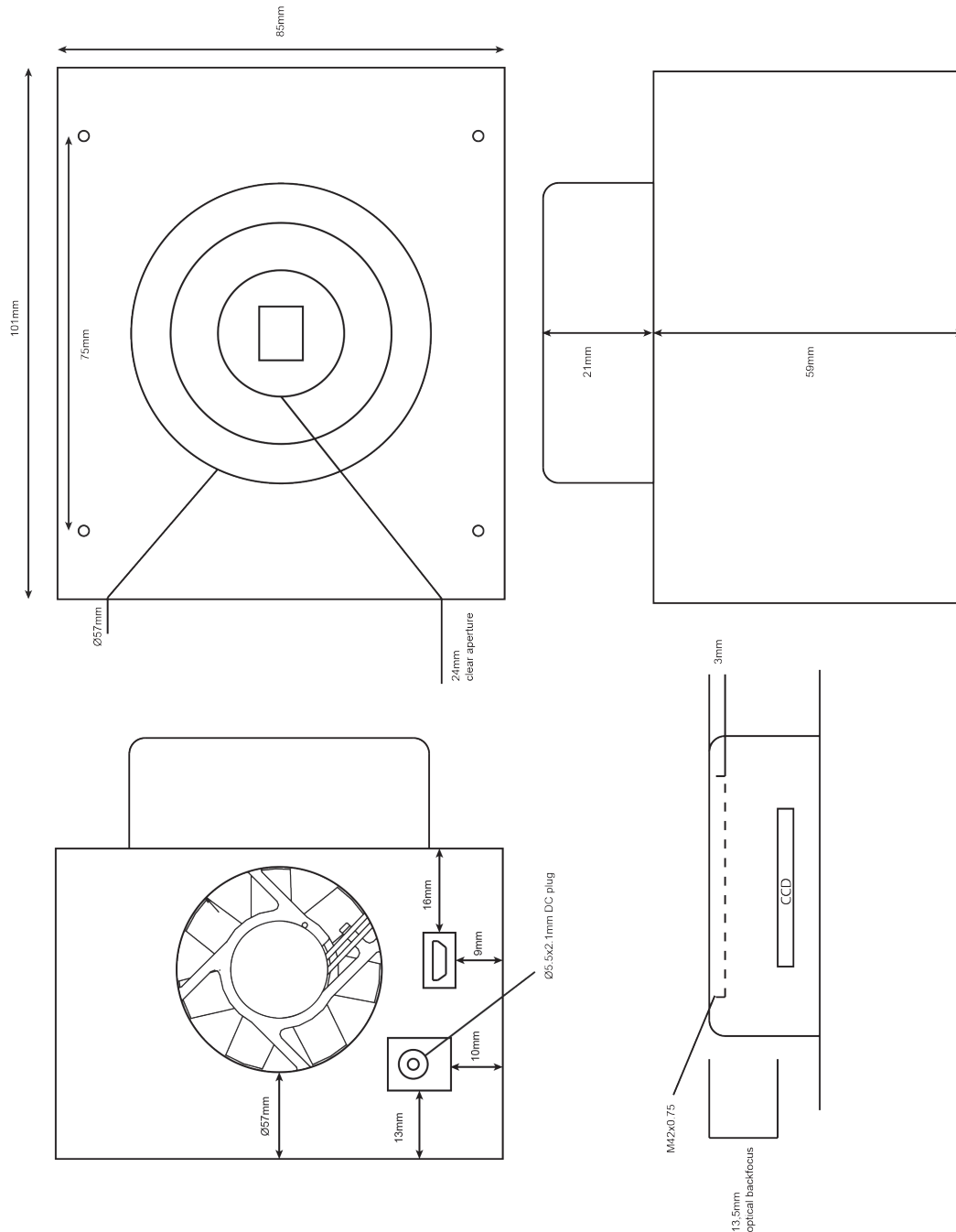


Anodised finish

Software Development Kit (SDK)

- >> C++ Library covering all camera functions
- >> Visual Basic wrapper
- >> .net Wrapper
- >> Linux Driver

Outline Drawing



Available Accessories

- >> Universal Power Supply (90-240VAC)/DC 12V
- >> C-Mount lens adaptor

Service Item

- >> Desiccant Cartridge

Contact Details

For enquiries, please use the contact details below:

Artemis CCD Ltd
 Unit 8 Lodge Farm Barns
 New Road
 Bawburgh
 Norwich
 NR9 3LZ
 United Kingdom

T: +44 (0)1603 740397
 F: +44 (0)1603 340600
 E: sales@atik-cameras.com

Ordering Information:

Atik OEM60-Y-Z

- >> Y : M = Monochrome, C = Colour
- >> Z : A = Nickel A, B = Anodised finish