



Simplifying the integration of cooled CCD cameras into imaging equipment designs, the OEM series provides the flexibility that is required in OEM applications. This range features a compact form factor combined with optimised cooling performance. The nickel plated standard case for this range delivers maximum EMC performance in an imaging system environment.

All models can be customised to suit the requirements of specific OEM applications so please contact us.

Key Features

- Exposure control 0.001s - 24hrs
- Extended operating range with -30°C cooling delta
- Asymmetric binning
- 16 bit digitising
- Electronic shutter with interline sensor
- Manufactured at our ISO 9001 accredited European premises
- Available as a board set

Service Item

- Desiccant Cartridge

Key Benefits

- Reliable and robust
- Customisable to your specific requirements
- No moving parts

Available Accessories

- Universal Power Supply (90-240VAC)/DC 12V
- C-Mount lens adaptor

Software Development Kit (SDK)

- C++ Library covering all camera functions
- Visual Basic wrapper
- .net Wrapper
- Linux Driver

Ordering Codes

Atik OEMXX-Y-Z

- XX : Model (14, 28, 60, 92)
- Y : M= Monochrome, C = Colour
- Z : A = Nickel finish, B = Anodised finish



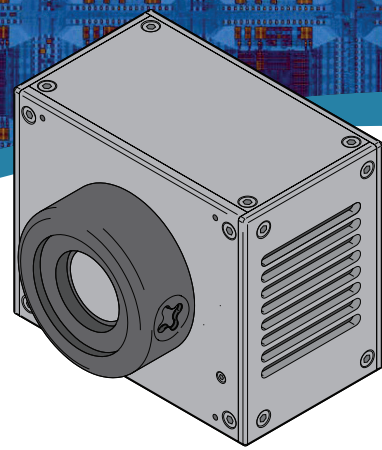
Anodised finish



Nickel finish

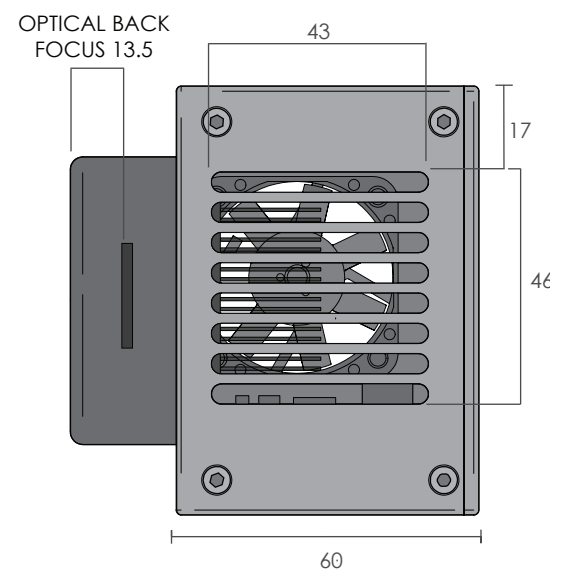
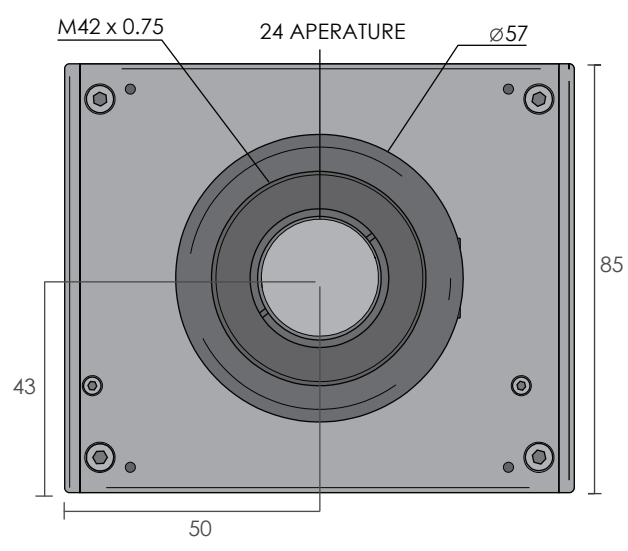
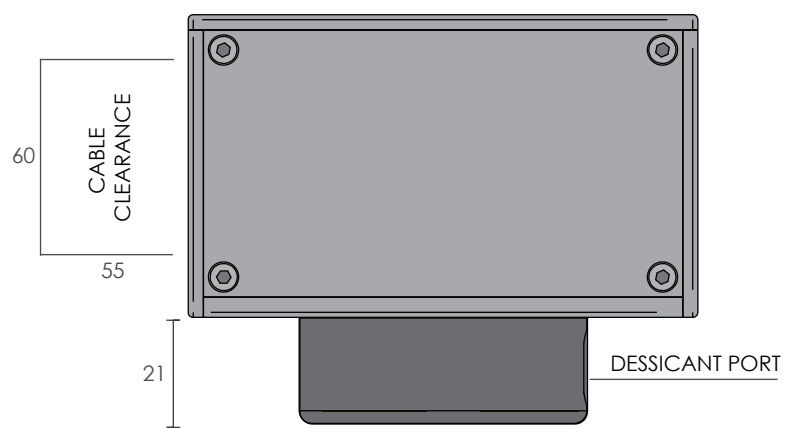
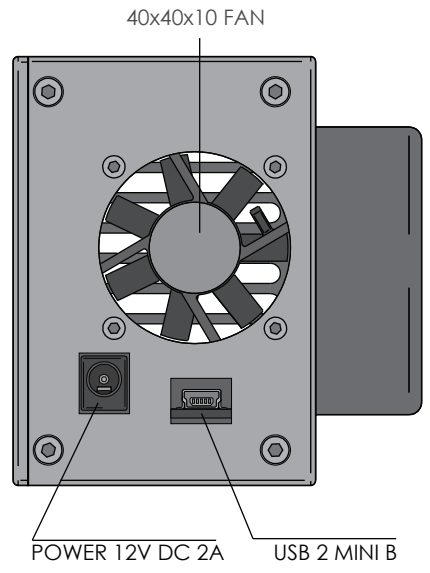
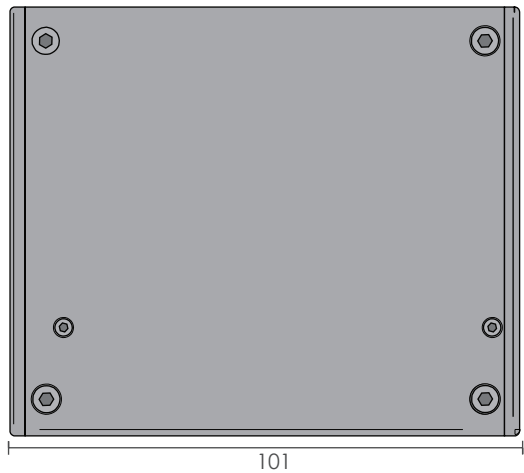


OEM SERIES



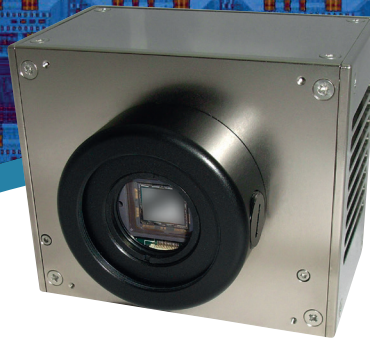
OEM Series Mechanical Drawing

ALL DIMENSIONS IN mm





OEM SERIES



Technical Specifications

Atik OEM Series				
	1.4 Megapixels	2.8 Megapixels	6.0 Megapixels	9.2 Megapixels
Sensor Mono	ICX285AL	ICX674ALG	ICX694ALG	ICX814ALG
Sensor Colour	ICX285AQ	ICX674AQG	ICX694AQG	ICX814AQG
Sensor Diagonal	11.0 mm	10.972 mm	15.99 mm	15.972 mm
Sensor Format	2/3	2/3	1/1	1/1
Resolution H	1392 pixels	1932 pixels	2750 pixels	3388 pixels
Resolution V	1040 pixels	1452 pixels	2200 pixels	2712 pixels
Pixel L & W	6.45 µm	4.54 µm	4.54µm	3.69µm
Noise	4e- (Typ)	5e- (Typ)	5e- (Typ)	5e- (Typ)
ADC	16 bit	16 bit	16 bit	16 bit
Cooling	-30°C (Regulated)	-30°C (Regulated)	-30°C (Regulated)	-30°C (Regulated)
Dark Current	0.01e-/p /s at -10°C	0.01e-/p /s at -10°C	0.01e-/p /s at -10°C	0.01e-/p /s at -10°C
Back Focus	13.5mm	13mm	13mm	13mm
Weight	400g	400g	400g	400g
Interface	USB 2.0	USB 2.0	USB 2.0	USB 2.0
Power	12VDC 0.8A (Centre positive)	12VDC 1.0A (Centre Positive)	12VDC 1.0A (Centre Positive)	12VDC 1.0A (Centre Positive)

For enquiries, please get in touch through the contact form on our website www.atik-cameras.com

Atik Cameras

Unit 8 Lodge Farm Barns, New Road, Bawburgh
 Norwich, NR9 3LZ, United Kingdom
 +44 (0)1603 740397