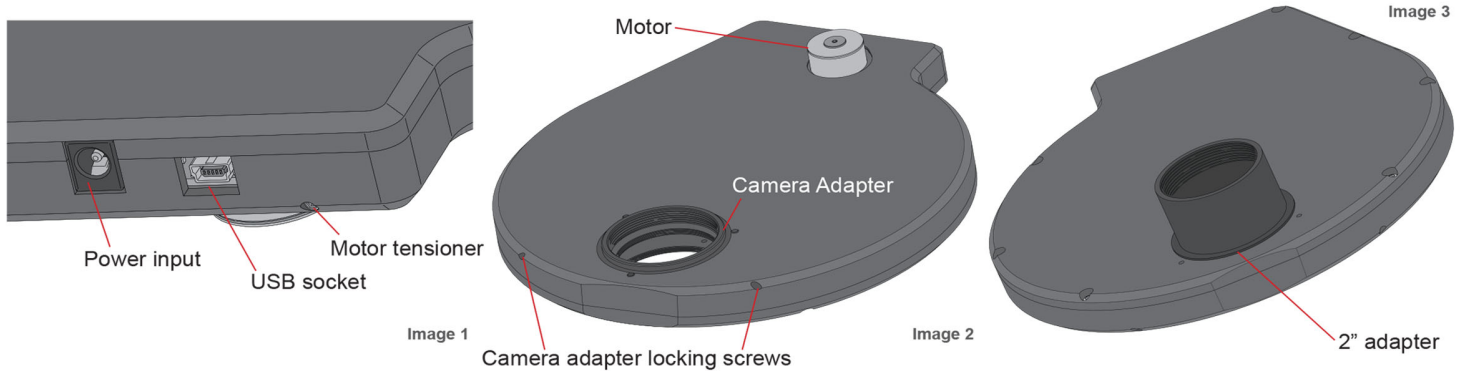


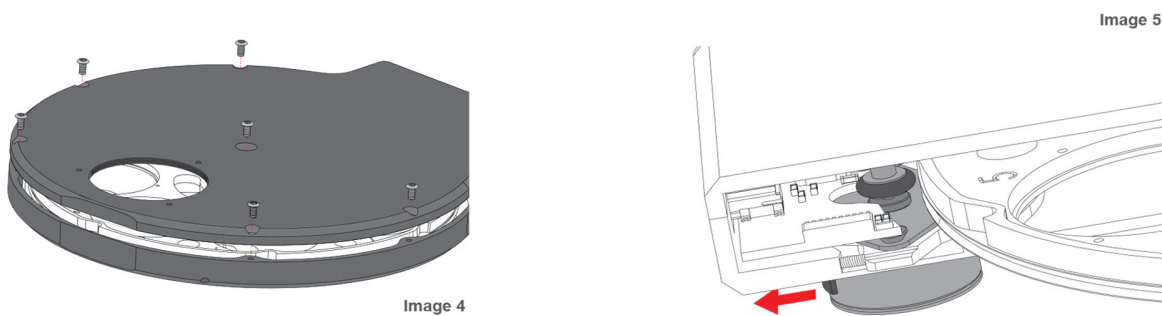
Electronic Filter Wheel - User Manual

Congratulations on your purchase of an Atik Cameras Electronic Filter Wheel (EFW). Using filters in your imaging is about to get a lot easier. But before you get started, it's worth taking a moment to get to know your wheel so you can get up and running in no time. The below diagrams depict the Atik EFW3 filter wheel but the steps are the same for both our EFW3 and EFW2.2 filter wheels.

Component Overview



Loading Filters & Changing Discs



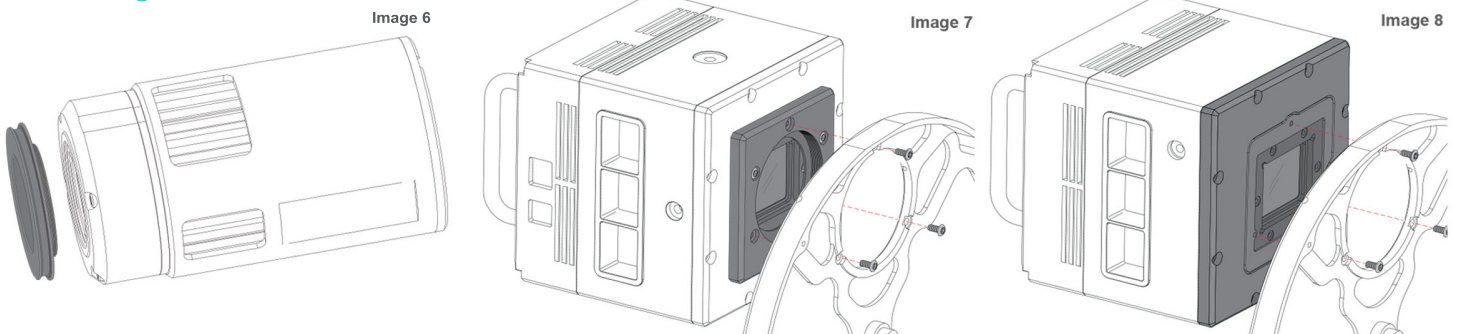
Loading Filters

1. Unscrew the nine M3 case screws.
2. Remove cover.
3. Install filters.
4. Replace cover.

Removing Disk

1. Follow 'loading filters' steps 1 & 2.
2. Ensure to be careful to pull back on motor, freeing the disk.
- 3a. Take care of the micro switch and remove disk with fitted bearing.

Attaching Your Camera



Attaching Camera To EFW

1. Unscrew the camera adapter locking screws (Image 2), remove the camera adapter from EFW.
2. Screw adapter to camera
3. Fit camera in place using the adapter locking screws. Temporarily loosen to rotate if required (Image 7).

Attaching to 16200 (EFW3 Only)

1. Take cover off and remove disk (images 4 & 5).
2. Take light plugs out of the three holes shown above.
3. Take the three screws shown above out of the 16200
4. Using M3 x 8mm screws supplied attach to 16200

Alternate 16200 Method - Removing Front Plate (EFW3 Only)

1. Repeat steps 1 - 3 of "Attaching camera to 16200"
2. To remove the front plate, remove the other three screws shown still in place in image 8.
3. Attach the 16200 upside down to align the M3 x 6 screws.

Power

Your wheel is supplied with a 12V car lighter style plug. If you'd like to use your own power cable or AC adapter, the socket is a 2.1mm type, and the wheel draws a maximum of 300mA. On powering up, the wheel will turn twice. When it stops, it's ready to use.

Warning: Mains power adaptors are intended for indoor or observatory use only. There is a risk of electric shock if the adaptor is used in damp environments or outside. If in doubt, do not use an adaptor and consult a trained electrician.

Software

We recommend downloading the latest core installer for our software from our website. This can be found at:

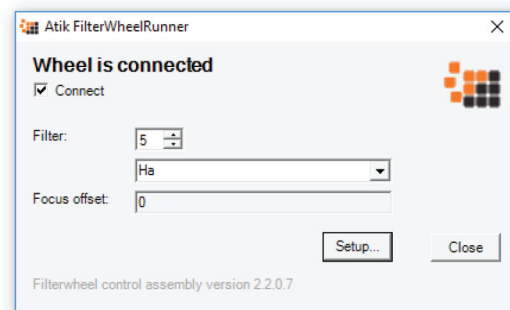
www.atik-cameras.com/downloads

You can also install the software from the Software CD that came with your EFW. In either case, run the SetupArtemisUniversal installer and follow the prompts.

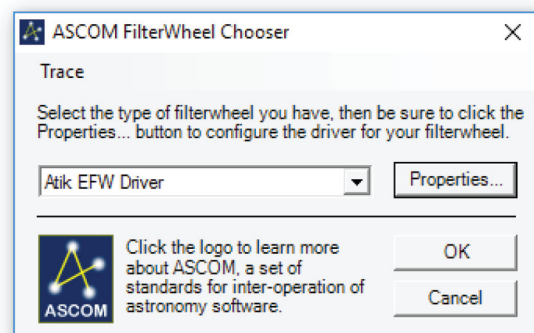
Your filter wheel can be controlled directly through our own Artemis Capture and FilterWheelRunner programs, or in third-party programs using the ASCOM driver.

In ArtemisCapture, you can control the filter wheel by selecting Filter wheel from the Camera menu or pressing the filter wheel icon. Filter positions can also be set using the image sequencer. For more information, please refer to the ArtemisCapture software manual in the Documentation folder (Start -> Atik Cameras -> Documentation).

FilterWheelRunner is a stand alone program that allows you to select filters. You can use the Setup button to name your filters and specify any known focus offsets. You can then select your filters by name, and they can be recorded in image headers automatically. The focus offsets provide a way for software such as ACP to apply automatic focus adjustments when changing filters to allow for their different optical thicknesses. These features are optional, and you can leave the default settings if you prefer.



When using **third-party software**, the filter wheel can be controlled by selecting it in the ASCOM FilterWheel Chooser dialog. Once the wheel has been selected, clicking on the "Properties..." button will launch an ASCOM-compliant version of the FilterWheelRunner program above.



Declaration of Conformity

EU Declaration of Conformity

This product carries the CE Mark in accordance with the related European Directive. CE Marking is the responsibility of:

Perseu, SA, R. Dr. Agostinho Neto, 1D, 2690-576 Sta Iria da Azoia, Portugal



Critical Applications

This product is not designed for any "critical applications". "Critical applications" means life support systems, medical applications, connections to medical devices, commercial transportations, nuclear facilities or systems or any other applications where product failure could lead to injury to persons or loss of life or catastrophic property damage.

This product is not a toy.

This is a class A product. In a domestic environment this product may cause radio interference in which case the user may be required to take adequate measures.

Disposal

When no longer required do not dispose of this electronic device with general household waste. To minimise pollution and protect the environment the camera should be recycled. Local recycling drop off points available under the Waste from Electrical and Electronic Equipment (WEEE) regulations which will accept the camera. For further information contact Perseu SA at the above address, or the shop from which the camera was bought.

